

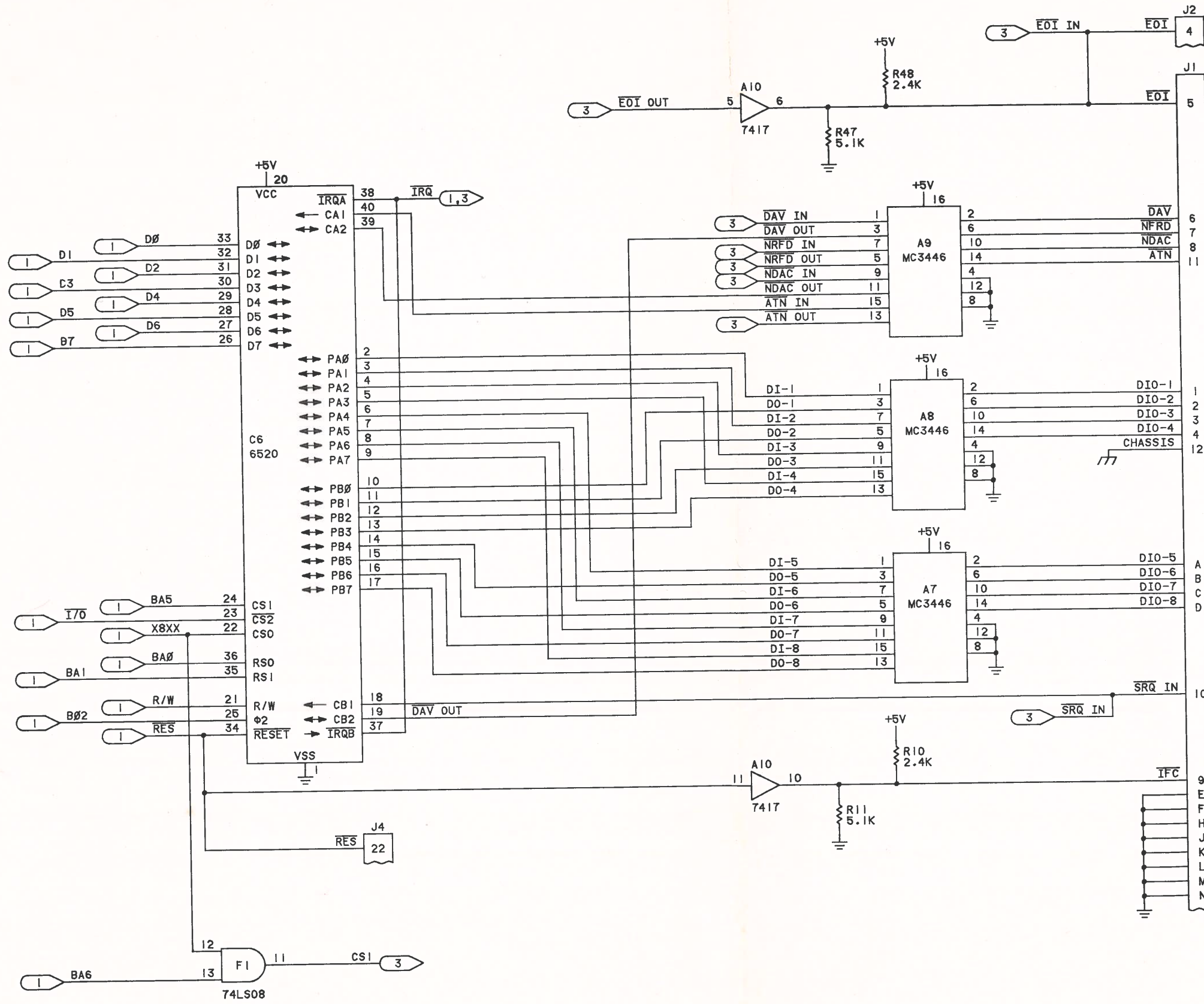
MEMORY EXPANSION

MEMORY EXPANSION

This document is confidential. It contains trade secret information of Commodore Business Machines, Inc., and is loaned under confidential custody for the sole purpose of operating, maintaining and repairing Commodore equipment. Neither this document nor information contained within it may be used or disclosed to anyone, or reproduced for other purposes without the written consent of Commodore Business Machines, Inc.

**commodore**  
 LOGIC DIAGRAM  
 DYNAMIC PET  
 JIP-MEMORY EXPANSION

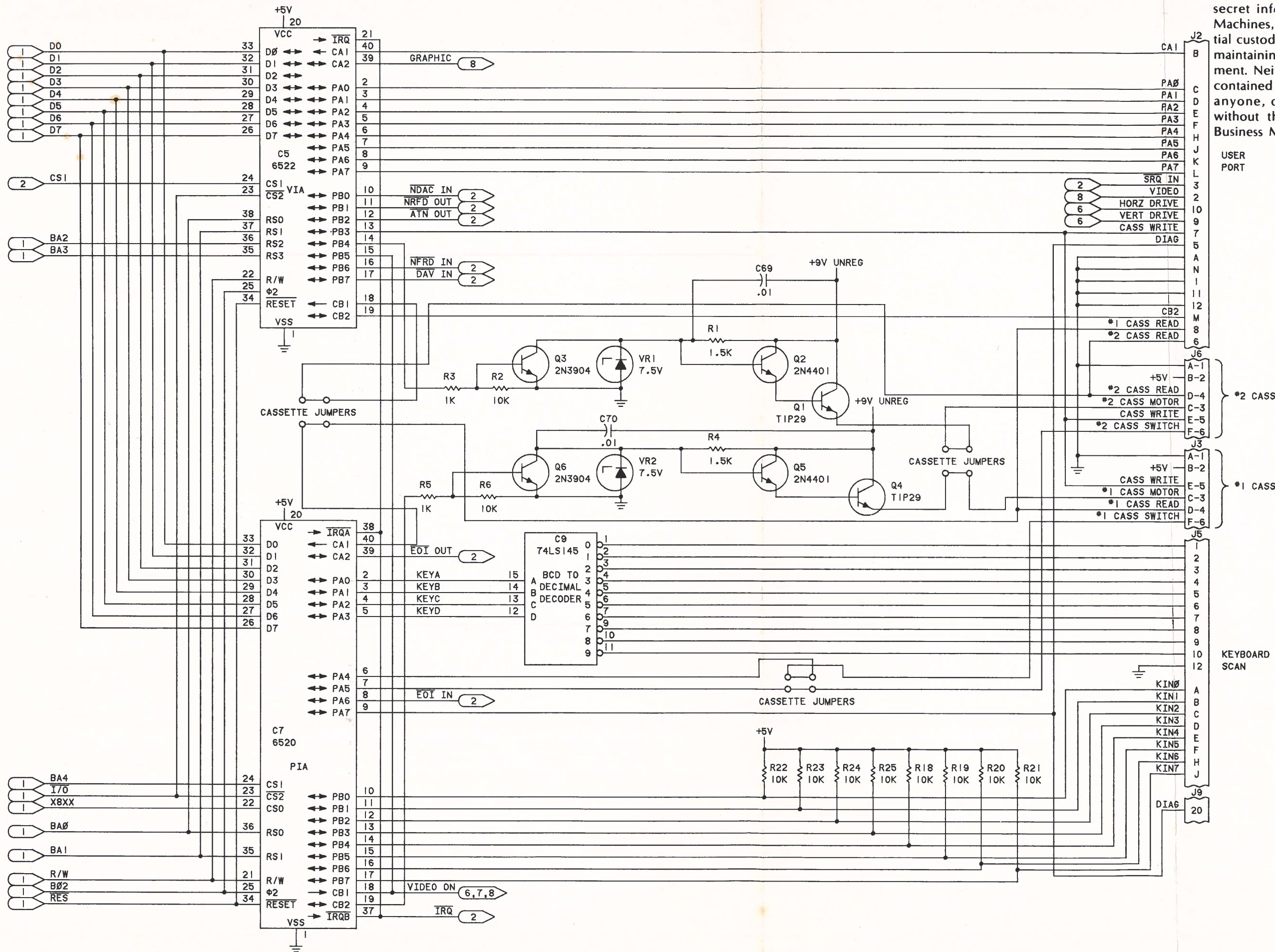
SIZE	320349	REV	A
D			
SCALE		SHEET	1 OF 9



IEEE-488  
INTERFACE

This document is confidential. It contains trade secret information of Commodore Business Machines, Inc., and is loaned under confidential custody for the sole purpose of operating, maintaining and repairing Commodore equipment. Neither this document nor information contained within it may be used or disclosed to anyone, or reproduced for other purposes without the written consent of Commodore Business Machines, Inc.

<b>commodore</b>		
LOGIC DIAGRAM DYNAMIC PET IEEE-488 INTERFACE		
SIZE D	320349	REV A
SCALE	SHEET 2 OF 9	



This document is confidential. It contains trade secret information of Commodore Business Machines, Inc., and is loaned under confidential custody for the sole purpose of operating, maintaining and repairing Commodore equipment. Neither this document nor information contained within it may be used or disclosed to anyone, or reproduced for other purposes without the written consent of Commodore Business Machines, Inc.

USER PORT

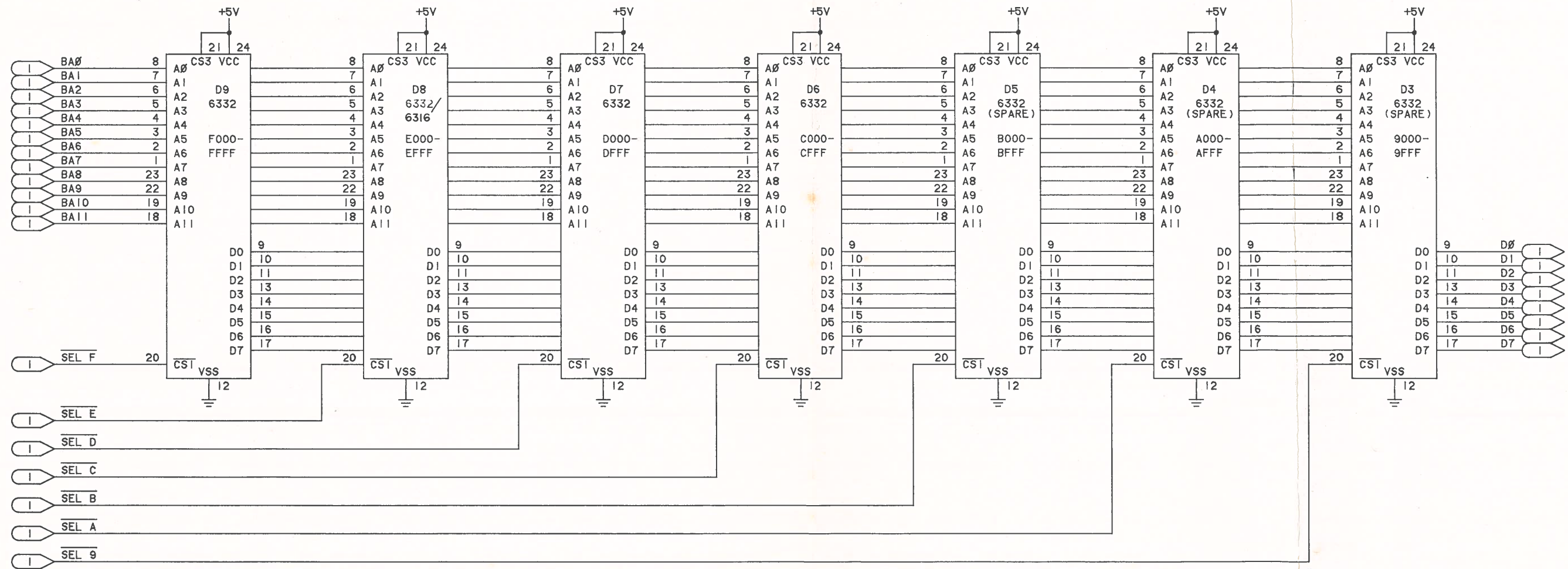
\*2 CASS

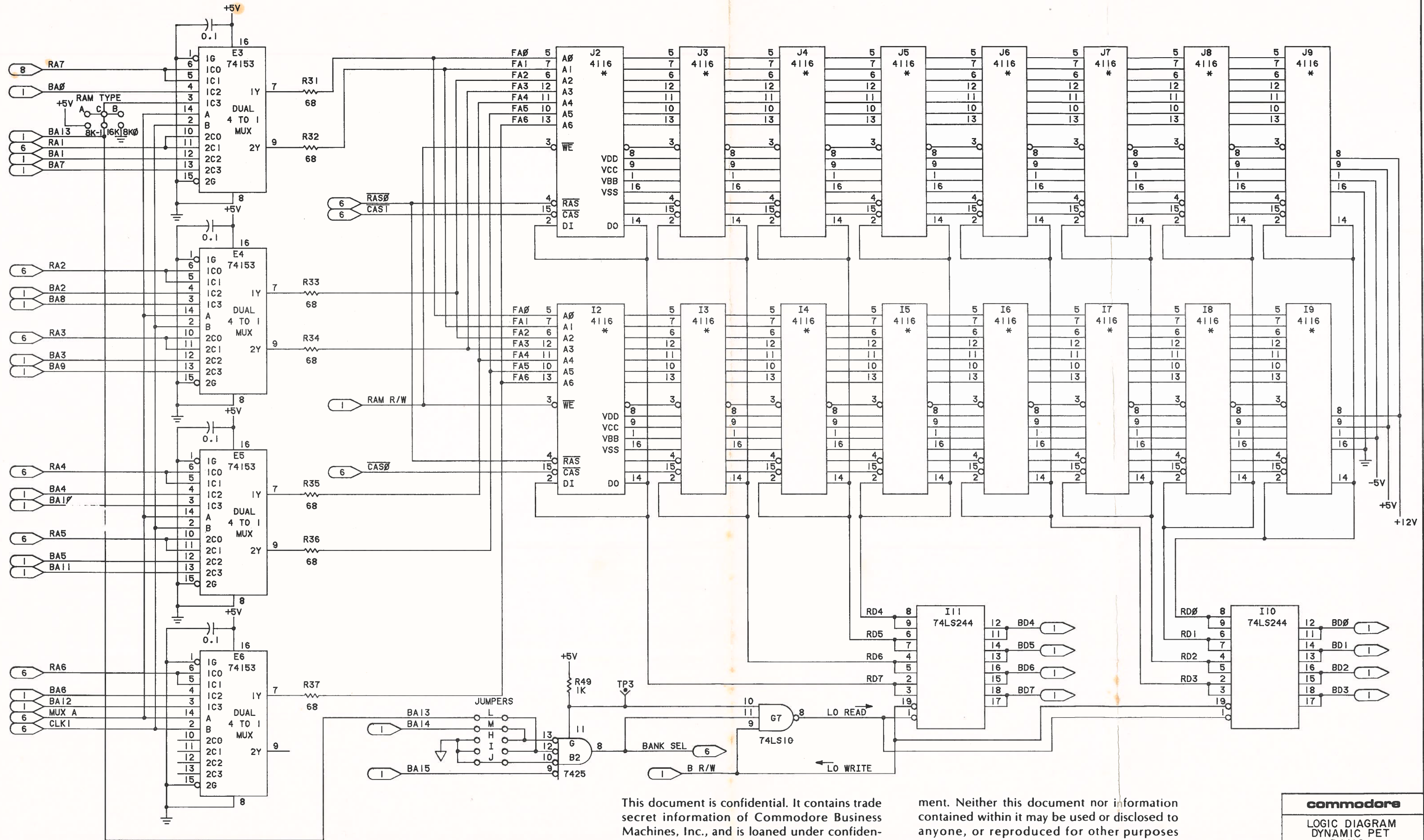
\*1 CASS

KEYBOARD SCAN

<b>commodore</b>		
LOGIC DIAGRAM DYNAMIC PET CASSETTE & KEYBOARD		
SIZE D	320349	REV A
SCALE	SHEET 3 OF 9	

This document is confidential. It contains trade secret information of Commodore Business Machines, Inc., and is loaned under confidential custody for the sole purpose of operating, maintaining and repairing Commodore equipment. Neither this document nor information contained within it may be used or disclosed to anyone, or reproduced for other purposes without the written consent of Commodore Business Machines, Inc.



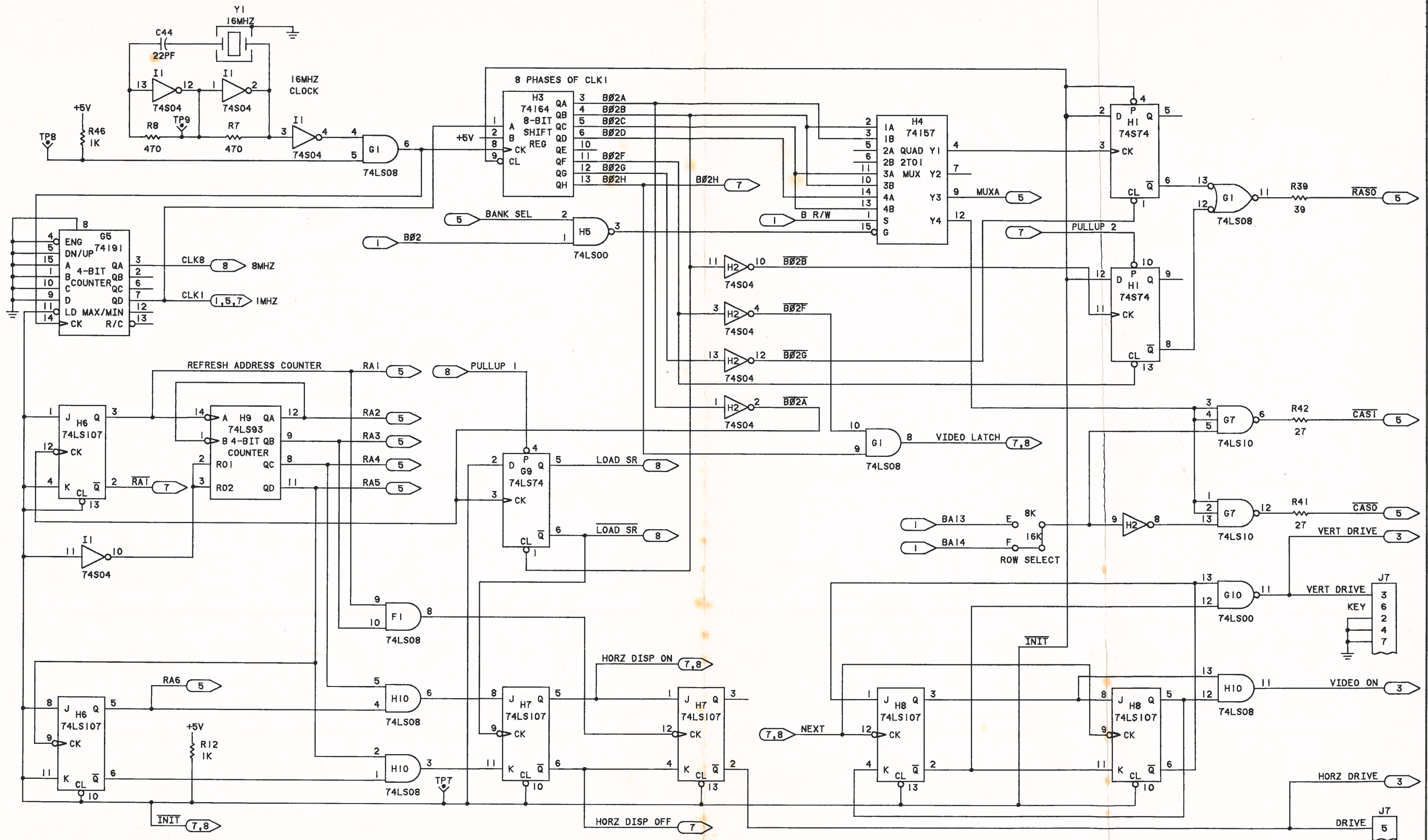


NOTE: ALL CIRCUITS MARKED \* ARE FOR 32K MACHINE ONLY

This document is confidential. It contains trade secret information of Commodore Business Machines, Inc., and is loaned under confidential custody for the sole purpose of operating, maintaining and repairing Commodore equip-

ment. Neither this document nor information contained within it may be used or disclosed to anyone, or reproduced for other purposes without the written consent of Commodore Business Machines, Inc.

<b>commodore</b>		
LOGIC DIAGRAM DYNAMIC PET RAMS		
SIZE	320349	REV A
D		
SCALE	SHEET 5 OF 9	

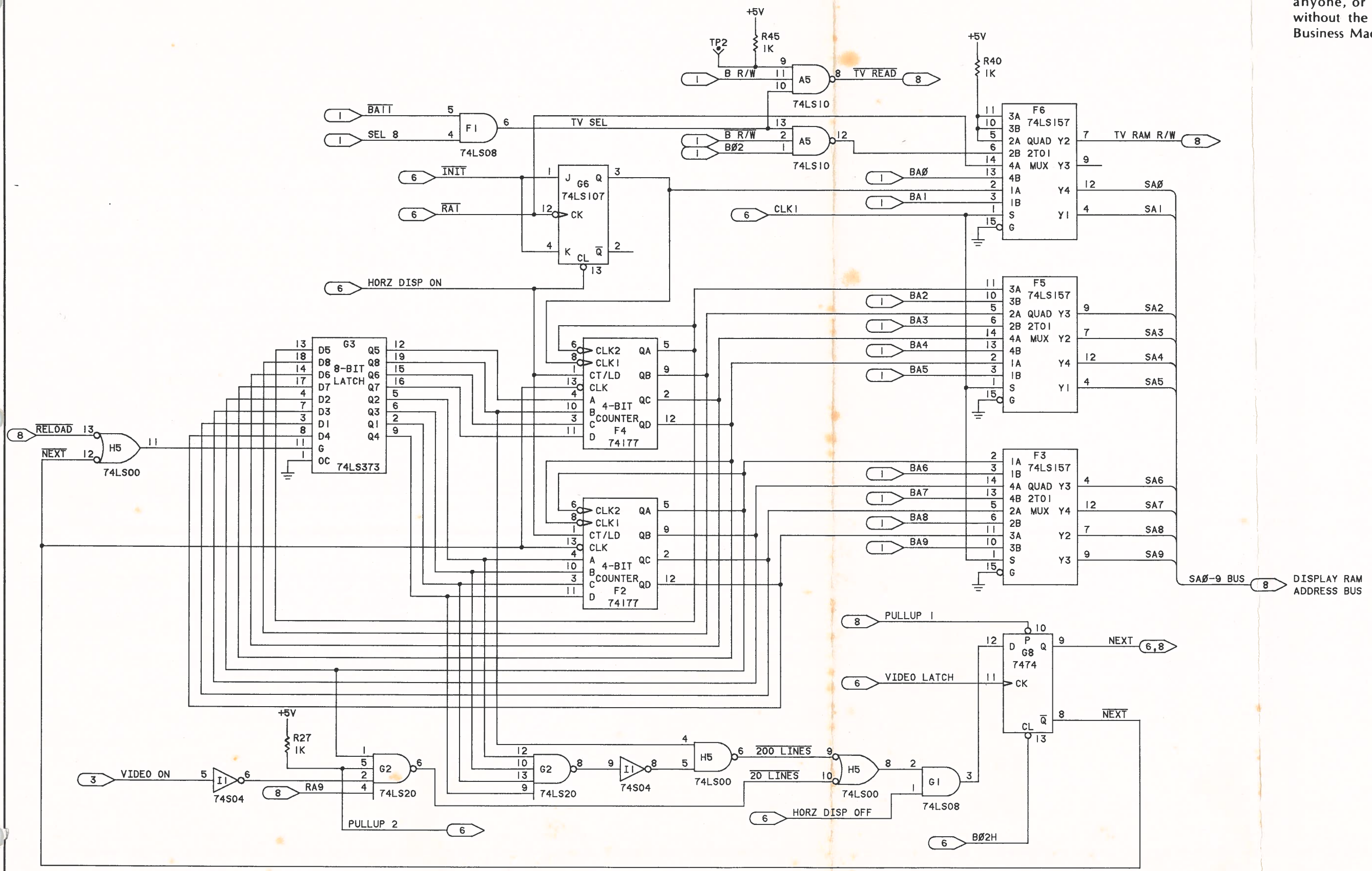


This document is confidential. It contains trade secret information of Commodore Business Machines, Inc., and is loaned under confidential custody for the sole purpose of operating, maintaining and repairing Commodore equip-

ment. Neither this document nor information contained within it may be used or disclosed to anyone, or reproduced for other purposes without the written consent of Commodore Business Machines, Inc.

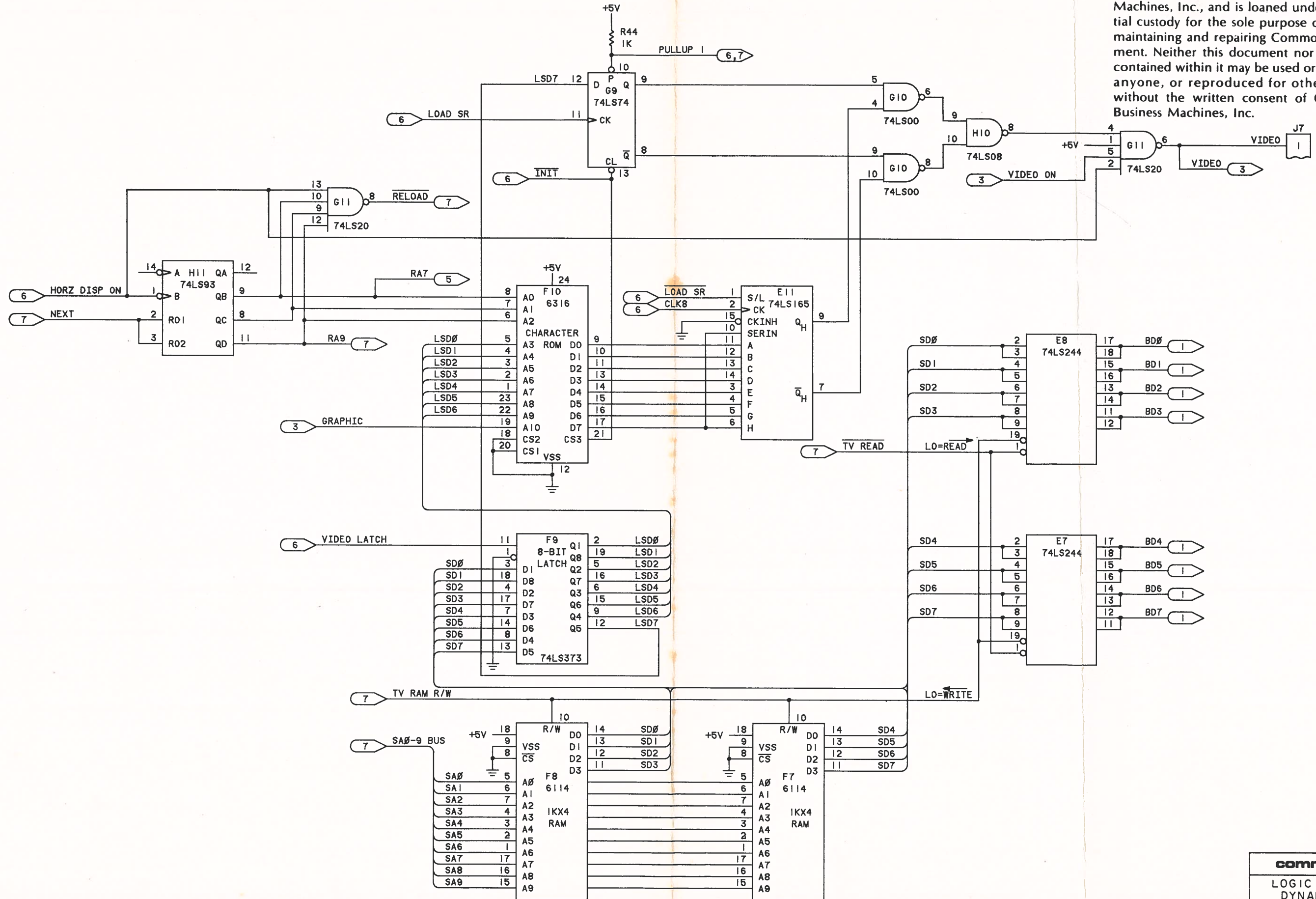
<b>commodore</b>		
LOGIC DIAGRAM DYNAMIC PET MASTER TIMING		
SIZE D	320349	REV A
SCALE	SHEET 6 OF 9	

This document is confidential. It contains trade secret information of Commodore Business Machines, Inc., and is loaned under confidential custody for the sole purpose of operating, maintaining and repairing Commodore equipment. Neither this document nor information contained within it may be used or disclosed to anyone, or reproduced for other purposes without the written consent of Commodore Business Machines, Inc.



commodore		
LOGIC DIAGRAM DYNAMIC PET DISPLAY LOGIC		
SIZE	D	REV A
D	320349	A
SCALE	SHEET 7 OF 9	

This document is confidential. It contains trade secret information of Commodore Business Machines, Inc., and is loaned under confidential custody for the sole purpose of operating, maintaining and repairing Commodore equipment. Neither this document nor information contained within it may be used or disclosed to anyone, or reproduced for other purposes without the written consent of Commodore Business Machines, Inc.





This document is confidential. It contains trade secret information of Commodore Business Machines, Inc., and is loaned under confidential custody for the sole purpose of operating, maintaining and repairing Commodore equipment. Neither this document nor information contained within it may be used or disclosed to anyone, or reproduced for other purposes without the written consent of Commodore Business Machines, Inc.

