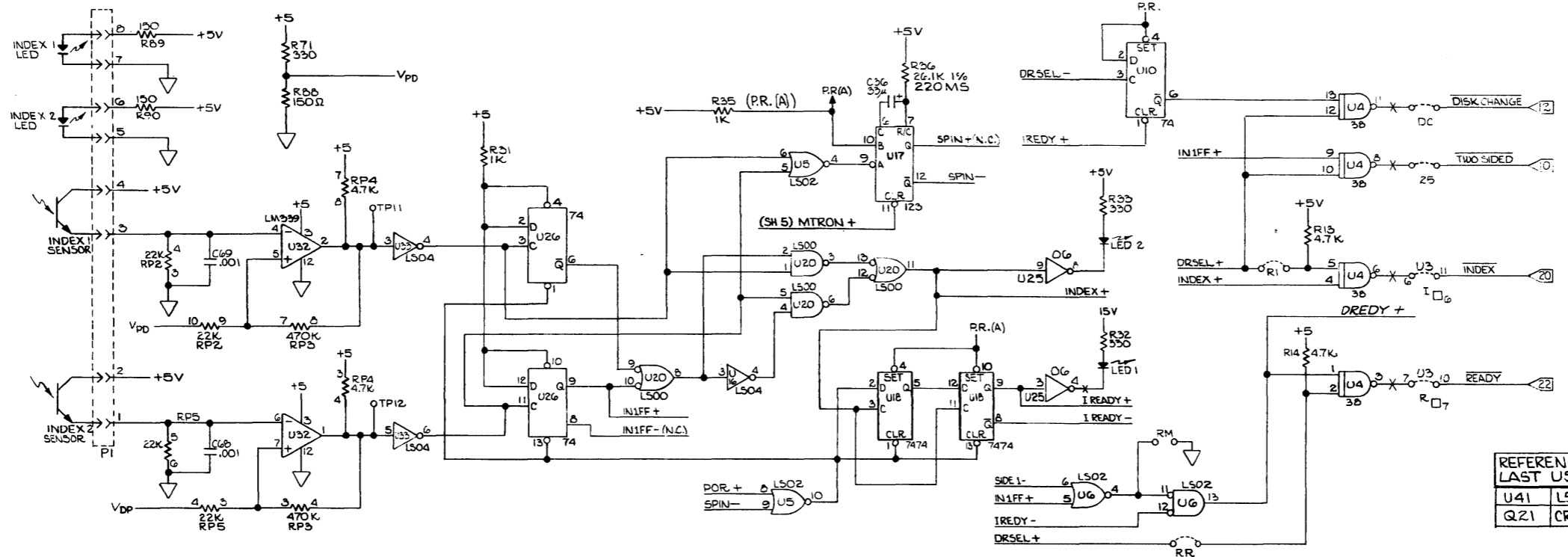
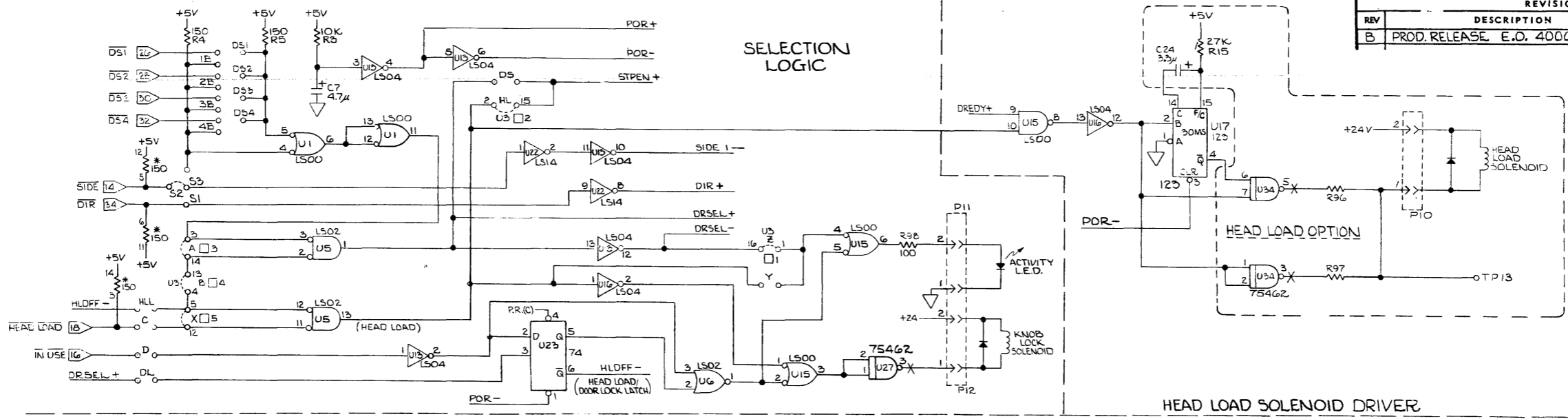


REVISIONS					
REV	DESCRIPTION	DATE	DR	CHK	APPR
B	PROD. RELEASE E.O. 40002	7/23/81	D.M.	R.M.	R.M.



REFERENCE DESIGNATIONS LAST USED			
U41	LS	C110	
Q21	CR31		

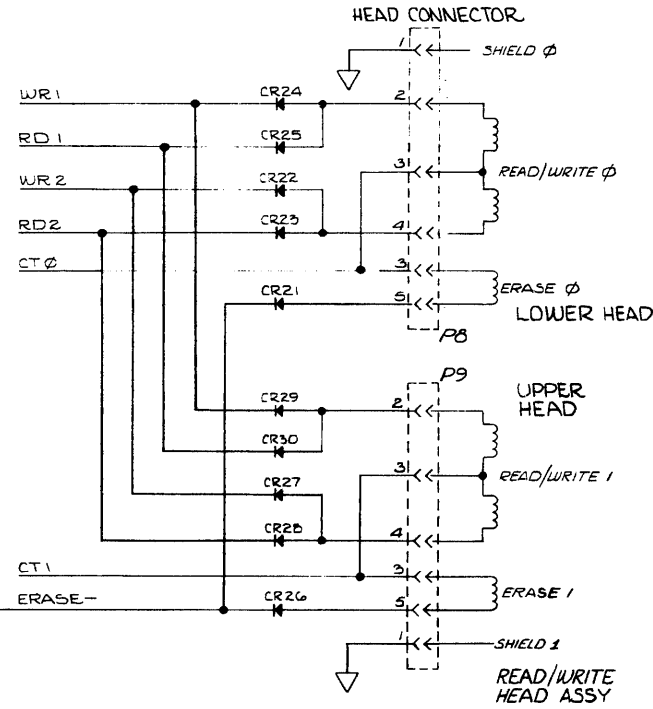
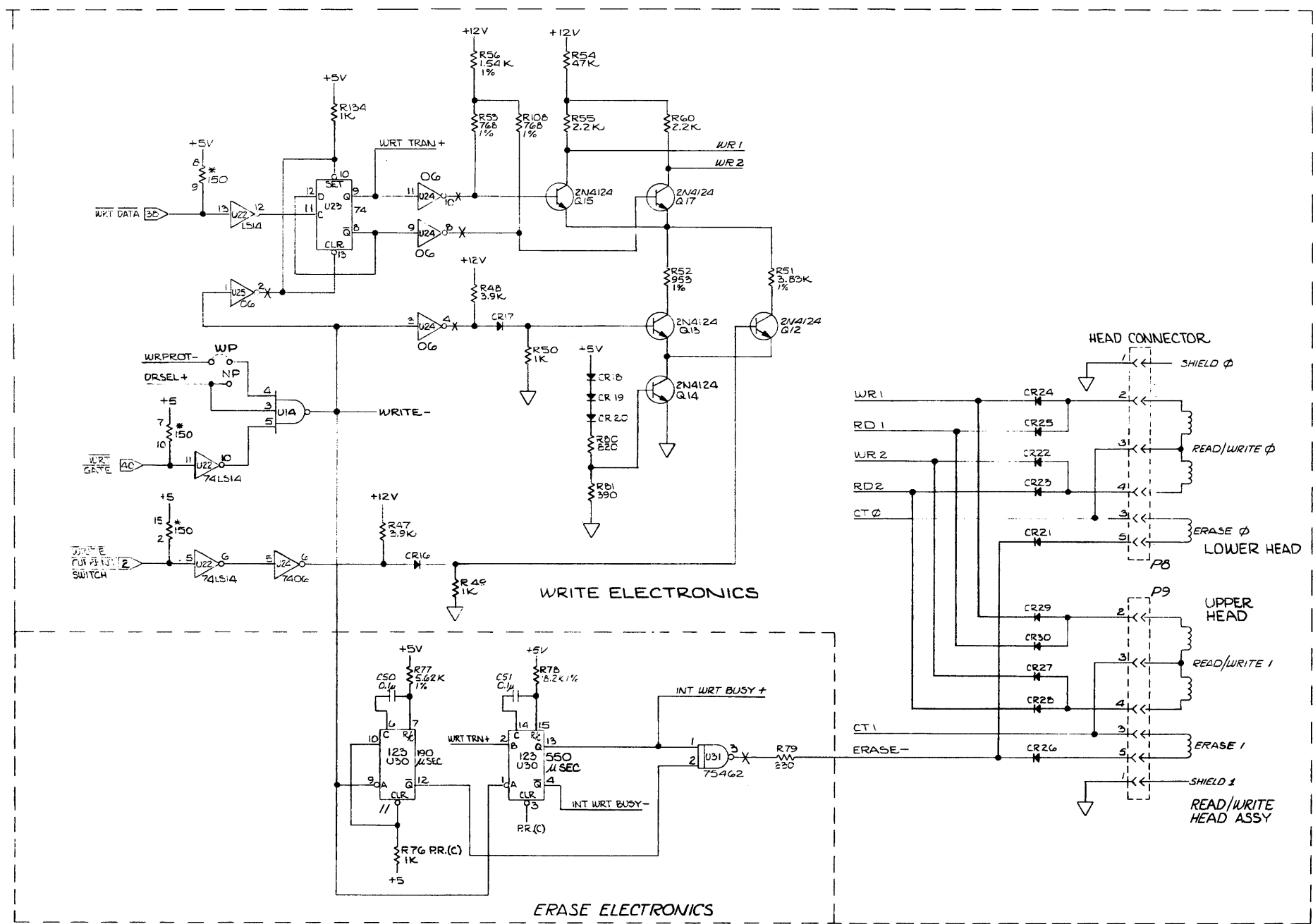
- 8. ALL CAPACITORS ARE IN MICROFARADS 50V.
- 7. ALL INDUCTORS ARE MICROHENRY'S ± 10%.
- 6. ALL RESISTORS ARE IN OHMS 1/4 W, ± 5%.
- 5. -o-o- STRAP OPTION.
- 4. □ - STRAP OPTION LOCATED IN SHUNT U3.
- 3. \* - RESISTOR LOCATED IN RESISTOR PACK RP1.
- 2. □ - ON P13 UNLESS OTHERWISE SPECIFIED.
- 1. -o-o- STRAP FREE ETCH ON CIRCUIT BOARD.

NOTES: UNLESS OTHERWISE SPECIFIED

THE INFORMATION CONTAINED HEREON IS THE PROPERTY OF TANDON MAGNETICS. NO PORTION OF THIS DATA SHALL BE RELEASED, DISCLOSED, USED OR DUPLICATED FOR USE IN PRODUCTION OR MANUFACTURING WITHOUT SPECIFIC WRITTEN PERMISSION FROM TANDON MAGNETICS.		SIGNATURES		DATE
UNLESS OTHERWISE SPECIFIED		DR. DANIEL WILKINS		6/25/81
DIMENSIONS ARE IN INCHES		CHK R.M.		
TOLERANCES:		DES R.M.		
.XXX ± .01		ENGR R.M.		
.XXX ± .005		PROJ. ENGR R.M.		7/23/81
X ± .005				
BREAK ALL SHARP CORNERS APPROX. .010				
FINISH:		MATERIAL:		
NEXT ASSY:		SCALE:		
FIRST USE:		SIZE:		CODE IDENT. NO. DWG. NO. 210092-000
APPLICATION:		DO NOT SCALE DIM. SHEET 1 OF 5		REV B

Schum. 210092  
 SH 1  
 TANDON MAGNETICS CORPORATION, JIMMIE, CA.

REVISIONS				
REV	DESCRIPTION	DATE	DR	CHK
B	PROD. RELEASE E.O. # 40002	7/28/81	DW	



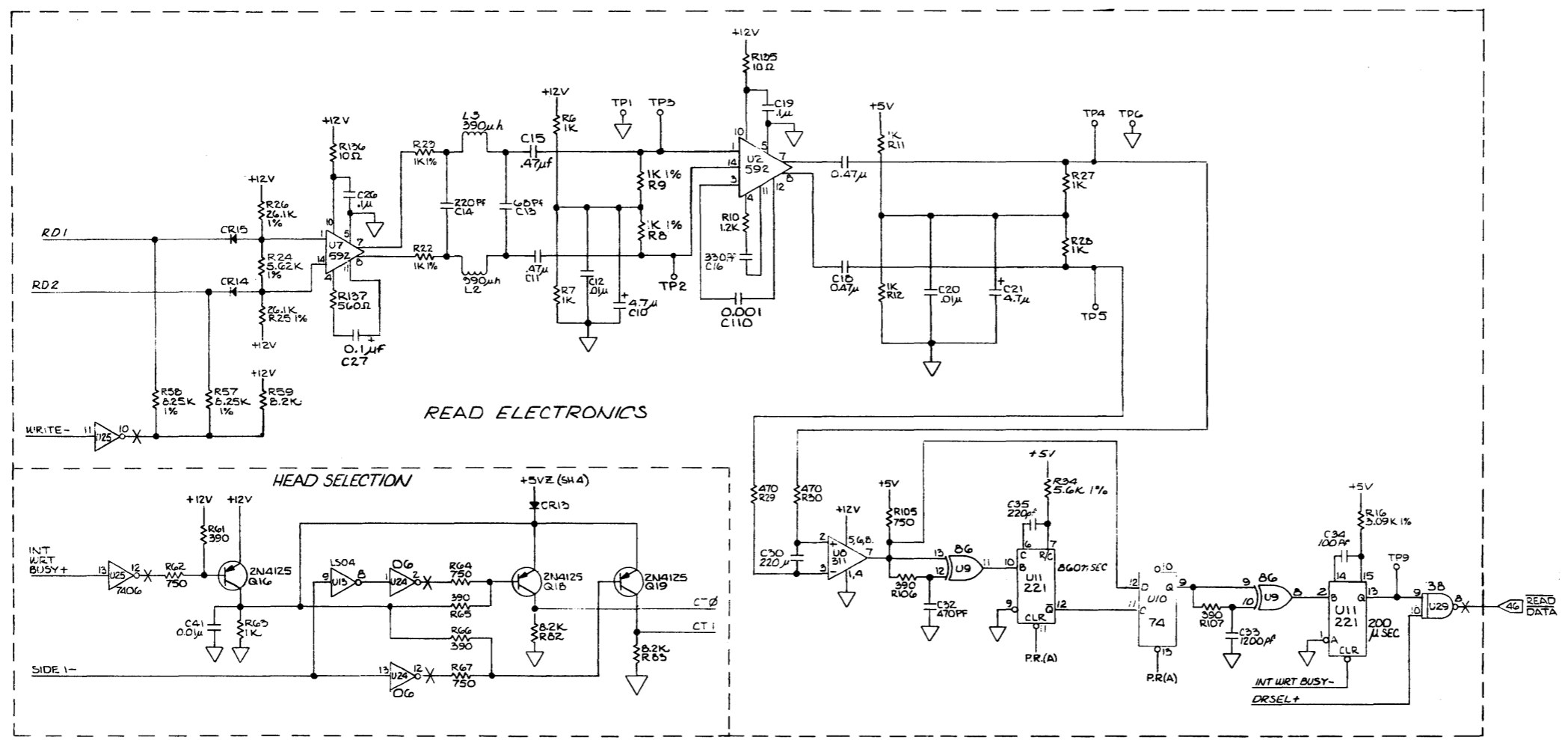
Schum. 210092  
 SH 2  
 HANDBY ERH2

1. \*-RESISTOR LOCATED IN RESISTOR PACK RP1  
 NOTES: UNLESS OTHERWISE SPECIFIED

<small>THE INFORMATION CONTAINED HEREON IS THE PROPERTY OF TANDON MAGNETICS AND PORTION OF THE DATA SHALL BE RELEASED UNLESS OTHERWISE SPECIFIED FOR USE IN PRODUCTION OR MANUFACTURING WITHOUT SPECIFIC WRITTEN PERMISSION FROM TANDON MAGNETICS</small>		<b>Tandon</b> MAGNETICS CORPORATION	
SIGNATURES DR. WILTSHIRE ENGR. R. MUMFORD		DATE 7/28/81	
DIMENSIONS ARE IN INCHES TOLERANCES: .XXX ± .XX ± .X ± .01 ± ANGULAR ± 1/2° BREAK ALL SHARP CORNERS APPROX. .010		TITLE MODEL 348 DISKETTE DRIVE ELECTRONICS	
FINISH: APPLICATION		MATL: SIZE CODE IDENT NO. DWG NO. REV SCALE NONE DO NOT SCALE DWG SHEET 2 OF 5	

8 7 6 5 4 3 2 1

REVISIONS				
REV	DESCRIPTION	DATE	DR	CHK APPR
B	PROD. RELEASE E.O. #4.0002	7/7/77	DW	



Schum 210092 SH 3

KALU FILE CORP. INMAN, CA. NUMBER 07824

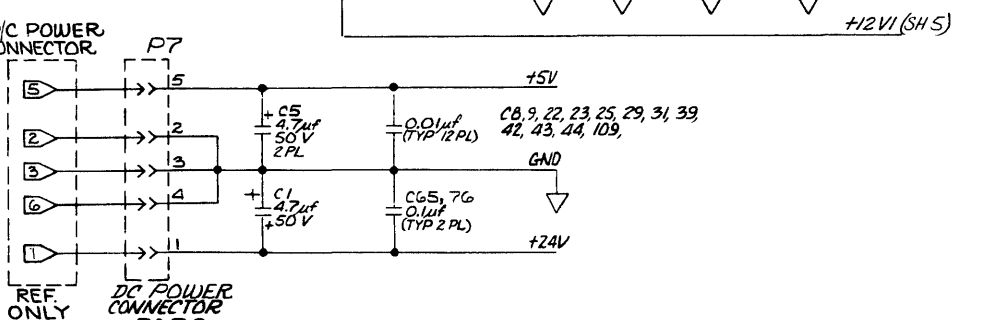
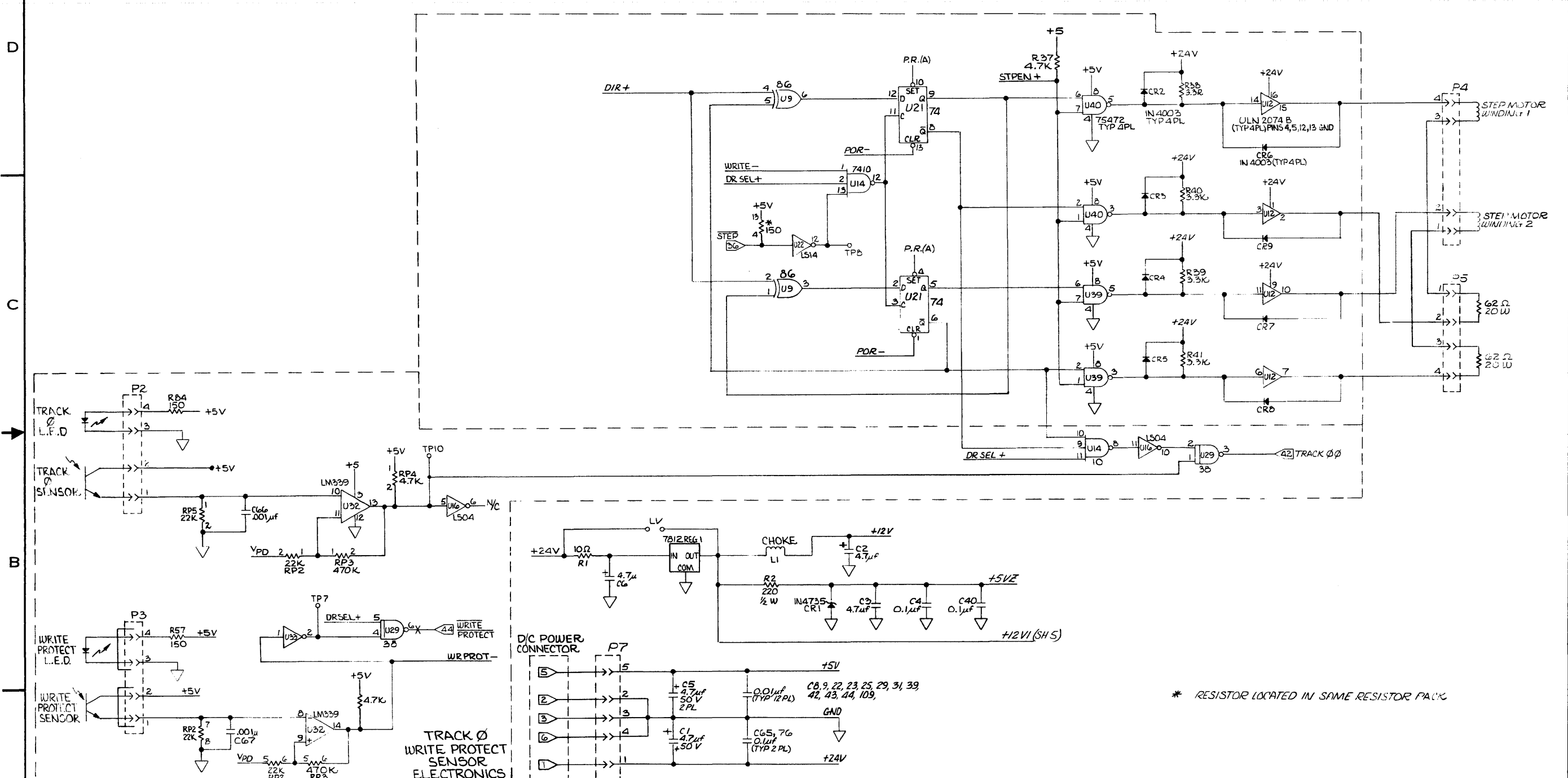
NOTES: UNLESS OTHERWISE SPECIFIED

<small>THE INFORMATION CONTAINED HEREON IS THE PROPERTY OF TANDON MAGNETICS AND PORTION OF THIS DATA SHALL BE RELEASED UNLESS OTHERWISE SPECIFIED OR SUPPLEMENTED FOR USE IN PROCUREMENT OF MANUFACTURING WITHOUT SPECIFIC WRITTEN PERMISSION FROM TANDON MAGNETICS</small> <small>UNLESS OTHERWISE SPECIFIED DIMENSIONS ARE IN INCHES</small> <small>TOLERANCES:</small> JOK ± JOK ± X ± X ± <small>BREAK ALL SHARP CORNERS APPROX. .010</small>	<small>SIGNATURES</small> DR: WILTSHIRE, D. CHK: RUM DES: RUM ENGR: RUM PROJ. ENGR: RUM <small>DATE</small> 7/1/77	<small>Tandon</small> <small>MAGNETICS CORPORATION</small>
	<small>TITLE</small> MODEL 348 DISKETTE DRIVE ELECTRONICS	<small>SIZE</small> D
	<small>CODE IDENT NO.</small> 210092-000	<small>DWG NO.</small> 210092-000
	<small>REV</small> B	<small>DO NOT SCALE DWG</small> <small>SHEET 3 OF 5</small>

<small>FINISH:</small> NEXT ASSY: _____ FIRST USE: _____ APPLICATION: _____	<small>MATL:</small> _____
--	-------------------------------

8 7 6 5 4 3 2 1

REVISIONS					
REV	DESCRIPTION	DATE	DR	CHK	APP
	SEE SHEET 1				



\* RESISTOR LOCATED IN SAME RESISTOR PACK

NOTES: UNLESS OTHERWISE SPECIFIED

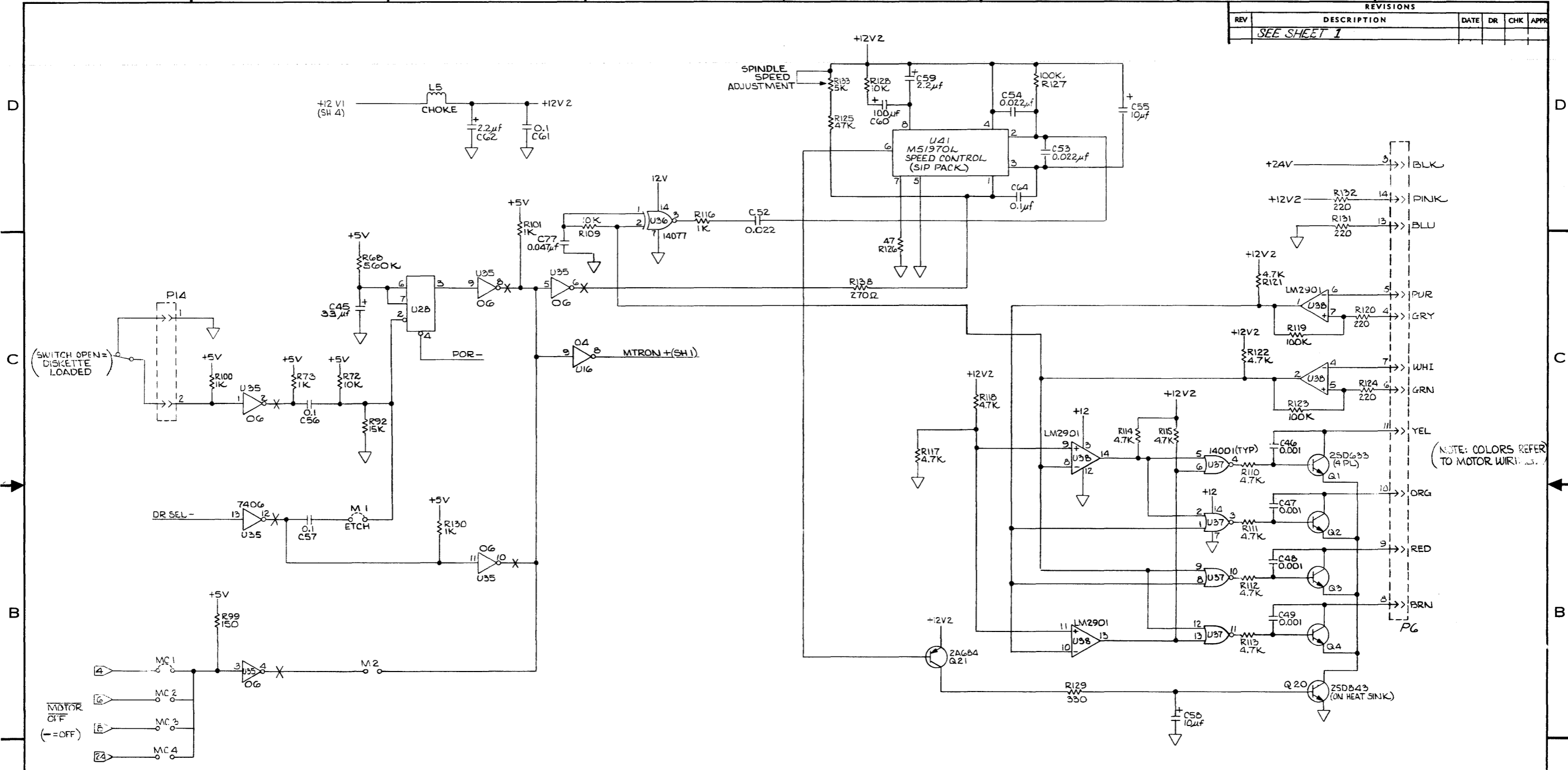
NEXT ASSY	FIRST USE	FINISH:		SCALE	DO NOT SCALE DWG
APPLICATION				210092-000	SHEET 4 OF 5

<small>THE INFORMATION CONTAINED HEREON IS THE PROPERTY OF TANDON MAGNETICS AND PORTION OF THIS DATA SHALL BE RELEASED UNLESS SPECIFICALLY WRITTEN PERMISSED BY TANDON MAGNETICS</small>	SIGNATURES	DATE	<b>Tandon</b> MAGNETICS CORPORATION
	DR DANIEL WUTSHINE		
<small>UNLESS OTHERWISE SPECIFIED DIMENSIONS ARE IN INCHES</small>	TITLE		
<small>TOLERANCES: .001" ANGULAR .125" X .125" X .125" X .125" BREAK ALL SHARP CORNERS APPROX. .010</small>	MODEL CAB DISKETTE DRIVE ELECTRONICS		
	MATL:		

Schematic SHD  
 210092

8 7 6 5 4 3 2 1

REVISIONS					
REV	DESCRIPTION	DATE	DR	CHK	APPR
1	SEE SHEET 1				



D

C

B

A

D

C

B

A

(SWITCH OPEN = DISKETTE LOADED)

MOTOR OFF (-OFF)

NOTES: UNLESS OTHERWISE SPECIFIED

KLINGLER KVELCH 9/79

(NOTE: COLORS REFER TO MOTOR WIRING)

Schem. 210092 SHS

BRUSHLESS DC SPINDLE MOTOR CONTROL

<p>THE INFORMATION CONTAINED HEREON IS THE PROPERTY OF TANDON MAGNETICS. NO PORTION OF THIS DATA SHALL BE RELEASED, DISCLOSED, USED OR REPRODUCED FOR USE IN CONNECTION WITH ANY OTHER PROJECT WITHOUT SPECIFIC WRITTEN PERMISSION FROM TANDON MAGNETICS.</p>		<p>SIGNATURES</p> <p>DATE</p>		<p>Tandon MAGNETICS CORPORATION</p>	
<p>UNLESS OTHERWISE SPECIFIED DIMENSIONS ARE IN INCHES</p> <p>TOLERANCES:</p> <p>JXX ±</p> <p>XXX ±</p> <p>Y ±</p> <p>Z ±</p> <p>BREAK ALL SHARP CORNERS APPROX. .010</p>		<p>DES RUM</p> <p>ENGR RUM</p> <p>PROJ. ENGR RUM</p>		<p>TITLE</p> <p>MODEL 848 DISKETTE DRIVE ELECTRONICS</p>	
<p>FINISH:</p>		<p>MATL:</p>		<p>SIZE CODE IDENT NO. DWG NO. REV</p> <p>D 210092-000 B</p>	
<p>APPLICATION</p>		<p>SCALE</p>		<p>DO NOT SCALE DWG SHEET 5 OF 5</p>	